

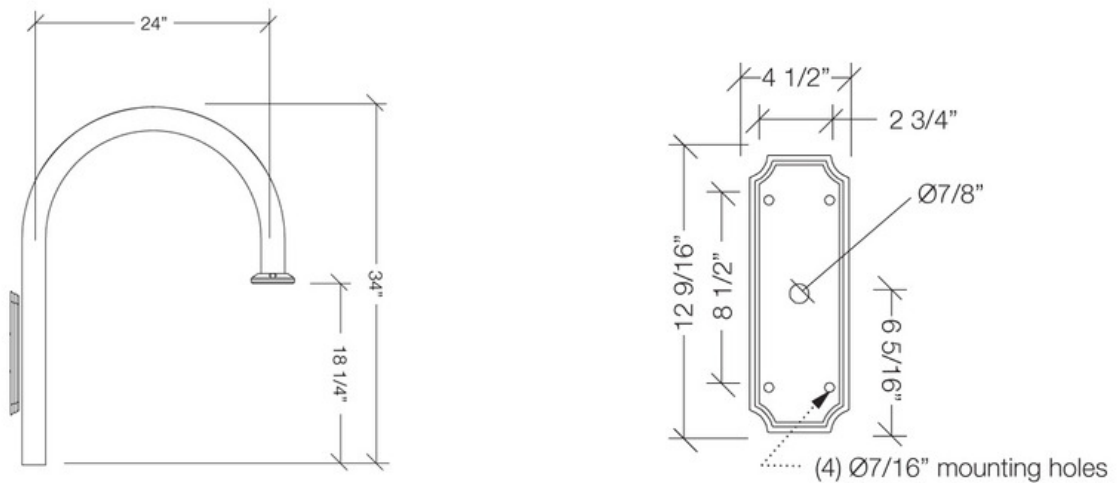
# RB BRACKET



## SOLAR FIXTURE BRACKETS

### RB - Railroad Bracket

SEPCO Solar Lighting Fixture Brackets are used with complete solar lighting systems to complete the system and allow for mounting the fixtures to a pole or ground mounting for some applications.



The Railroad Bracket (RB) is used for mounting a pendant style decorative fixture to the side of the pole below the solar power assembly. This decorative cast aluminum scroll bracket is 34" high and 24" wide and comes ready to mount to the pole with the pendant style fixture below. Powder coated allows for customization of the bracket to match the color of the pole and fixture.

### Project Specifics

Project Name: \_\_\_\_\_  
Project Notes: \_\_\_\_\_  
\_\_\_\_\_  
\_\_\_\_\_